

# EO

IP - surface black  
 EAN 4007841 091095  
 Article number 091095



infrared sensor 360°



ideal 3.0 m



presence



Counting



Positioning



Zoning



Fencing



Traffic

## Function description

EO. Smart Space Sensor with many detection variables. Our new Smart Space Sensor detects, localises and counts all the people in the room from the ceiling. Privacy is always guaranteed. This is because the innovative passive infrared matrix sensor does not have a camera and therefore cannot identify people. Keyword: privacy by design. How does it work? Via a heat matrix. All existing temperatures are precisely recorded in a precisely adjustable room area of up to 40 m<sup>2</sup> (at 3 m mounting height). The data obtained is analysed using intelligent software based on the latest AI algorithms. This allows human heat radiation to be precisely identified and localised.

## Technical specifications

Dimensions (L x W x H)	44 x 123 x 123 mm
With motion detector	Yes
Manufacturer's Warranty	5 years
Settings via	Bluetooth Mesh, Web-Interface
With remote control	No
Version	IP - surface black
PU1, EAN	4007841091095
Type	Presence detector
Application, place	Indoors
Colour	black
Colour, RAL	9005
Includes corner wall mount	No
Installation site	ceiling
Package content	1
Installation	Surface wiring, Ceiling
IP-rating	IP20

Power consumption	1,2 W
Power supply, detail	Passive PoE SELV, standard PoE (IEEE 802.3 af)
Technology, sensors	Air humidity, Temperature, Passive infrared - matrix
Mounting height	2,5 – 3,5 m
Mounting height max.	3,50 m
Optimum mounting height	2,8 m
Detection angle	360 °
Sneak-by guard	Yes
Capability of masking out individual segments	Yes
Electronic scalability	Yes
Mechanical scalability	No
Twilight setting TEACH	No
Constant-lighting control	No
Interconnection	Yes

# E0

IP - surface black  
 EAN 4007841 091095  
 Article number 091095

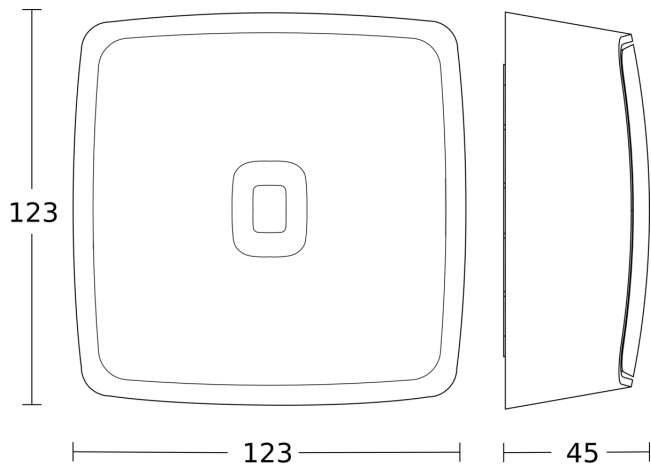


## Technical specifications

Material	Plastic
Mains power supply	50 – 60 Hz

Interconnection via	Bluetooth Mesh, LAN
Product category	Presence detector
Erfassungsfläche bei Montagehöhe	2.5 m: 6.6 x 4.2 m (28 m <sup>2</sup> ), 3.0 m: 5.0 x 8.0 m (40 m <sup>2</sup> ), 3.5 m: 5.9 x 9.3 m (55 m <sup>2</sup> )

## Dimension Drawing



## Circuit diagram

